

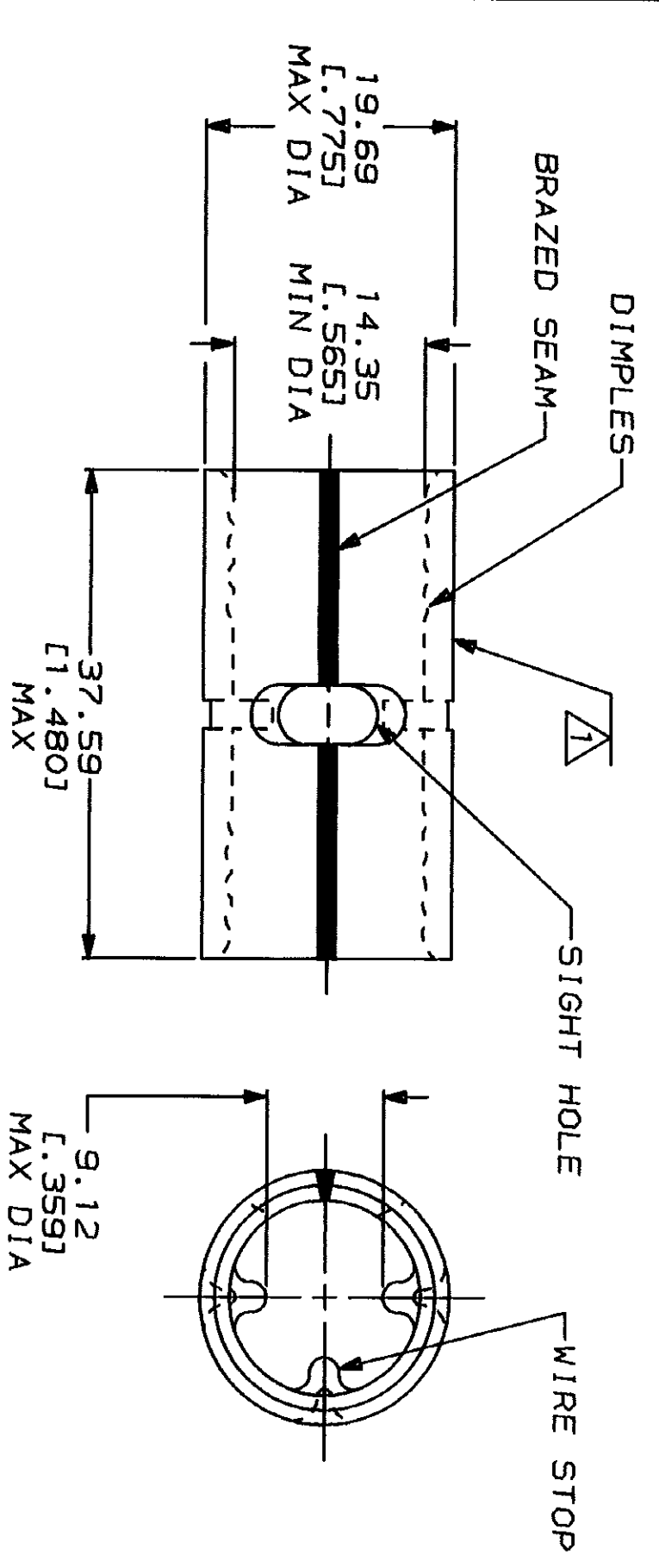
THIS DRAWING IS UNPUBLISHED. RELEASED FOR PUBLICATION BY AMP INCORPORATED. ALL INTERNATIONAL RIGHTS RESERVED. 19

AMP PART NO	MATERIAL	PKG TYPE	QTY
8-36959-3	M/F 8-36959-0	BOX	25

LOC	DIST	P	F	ZONE	LTR	DESCRIPTION	DATE	APPD
G	14				C	REVISED & REDRAWN PER 0720-0037-93	5/24/93	RES

METRIC
DIMENSIONS LISTED IN MM [INCHES]

AMP WIRE RANGE	IL E13288 Listed
3/0 AWG SOLID OR STRANDED	3/0 AWG SOLID OR STRANDED
IL LR7189 Certified	MILITARY P/N AND CLASS
3/0 AWG SOLID OR STRANDED	NOT APPLICABLE



AMP INCORPORATED
CUSTOMER SERVICE SYSTEMS

MAX RECOMMENDED OPERATING TEMPERATURE:
170°C MAX

VOLTAGE RATING:
NOT APPLICABLE

CIRCULAR MIL AREA:
76.3-96.3mm² [150,500-190,000] CIR MILS
SOLID OR STRANDED

DO NOT SCALE PRINT.
UNLESS SPECIFIED
TOLERANCES ON:
2 PL. DEC ± 0.20 (.008)
3 PL. DEC ± . . .
ANGLES ± . . .

FOR ADDITIONAL PRODUCT INFORMATION OR COPIES OF DRAWINGS AND TECHNICAL DOCUMENTS
FOR APPLICATION
TOOLING INFORMATION
FOR ORDER ENTRY

PRODUCT INFORMATION CENTER
TOOLING ASSISTANCE CENTER

FINISH: TIN PLATE
0.00254 [.000100] MIN THK PER MIL-T-10727

DR: S/24/93
DK: SORIN
CHK: 1/27/94
RD: HEIN
APPD: 1/27/94
RE: ROSSER
APPD: 1/27/94
R: MCKELLY
PRODUCT SPEC

AMP Incorporated
Harrisburg, PA 17105-3608
SPLICE, BUTT,
SOLISTRAND™

AMP 1470-15 REV 3-92

1-800-526-5142

1-800-722-1111

APPLICATOR SPEC

SIZE: B
CAGE CODE: 00779
DRAWING NO: 36959
SCALE: 2:1
SHEET: 1 OF 1